



Chelsea Doll Cottage

Assembly Instructions

Item #65054A

© 2010 KidKraft, LP

Please retain this information for future reference

To order replacement parts, please visit www.kidkraft.com

HARDWARE

A. Cross Dowel Bolt x 2 pcs



1 11/16 in / 43 mm

B. Red Cross Dowel Bolt x 2 pcs



1 11/16 in / 43 mm

C. Green Cross Dowel Bolt x 4 pcs



1 11/16 in / 43 mm

D. White Cross Dowel Bolt x 6 pcs



1 11/16 in / 43 mm

E. Red Screw x 2 pcs



13/16 in / 20 mm

F. Pink Screw x 12 pcs



13/16 in / 20 mm

G. White Screw x 2 pcs

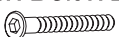


13/16 in / 20 mm

H. Cross Dowel Nut x 14 pcs



I. Hex Bolt x 2 pcs



1 9/16 in / 40 mm

J. Cross Dowel Bolt x 2 pcs



3/8 in / 9 mm

K. Insert Bolt x 2 pcs

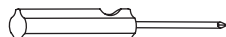


1/2 in / 12 mm

Allen Wrench x 1



The following tools (not included) are required for assembly:

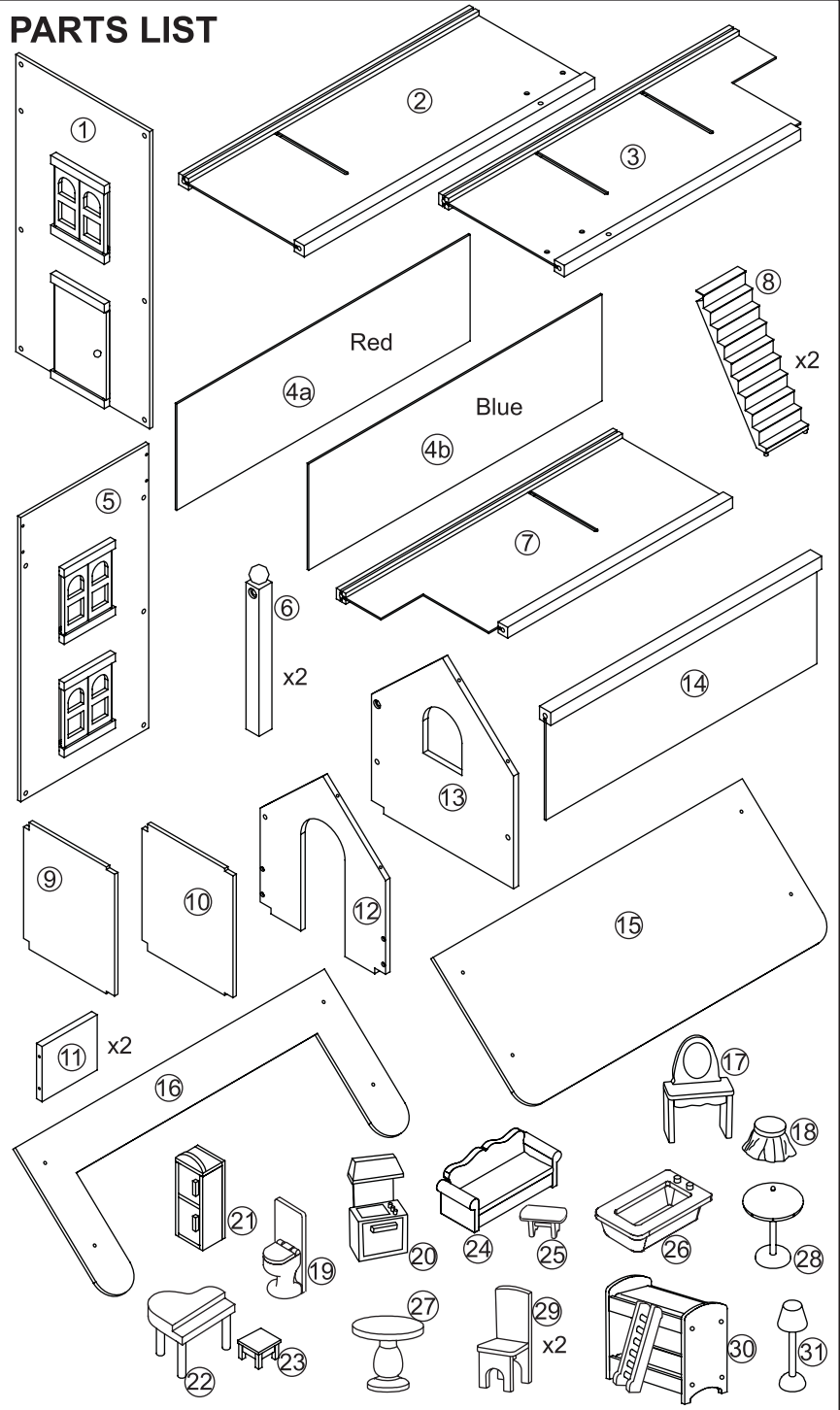


Phillips® Screwdriver



Flathead Screwdriver

PARTS LIST



⚠ WARNING:

ADULT ASSEMBLY REQUIRED.

Product includes small parts with potentially hazardous sharp points and sharp edges in the unassembled state. Keep unassembled parts away from children.

⚠ WARNING:

CHOKING HAZARD. Small parts and sharp points, not suitable for children under 3 years.

⚠ WARNING:

If used improperly, your dollhouse may be pulled over or fall, creating risk of injury or damage. To minimize this risk, we recommend that you use the enclosed wall anchor kit, which gives you the option of attaching the dollhouse to a wall. In addition, children should not be permitted to climb or pull on the dollhouse.

USE AND MAINTENANCE:

-Use on level surfaces only

-Please check assembly at regular intervals, and frequently tighten hardware if necessary. If maintenance is not carried out, the product could cease to function properly.

Customer Service

1-800-933-0771

www.kidkraft.com

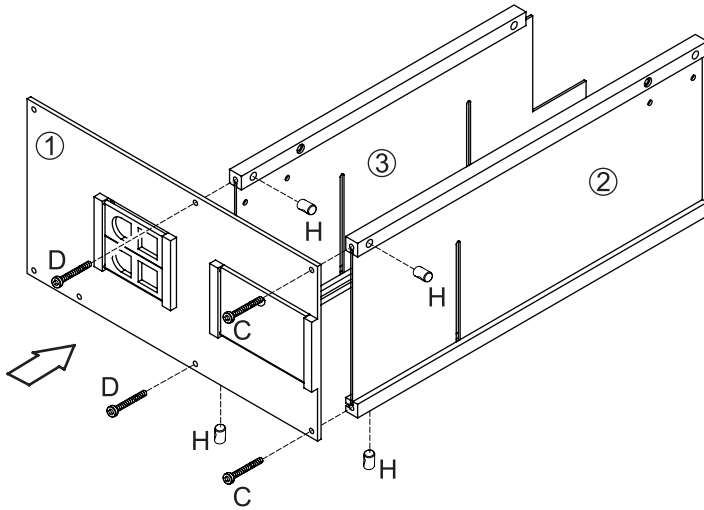


Chelsea Doll Cottage

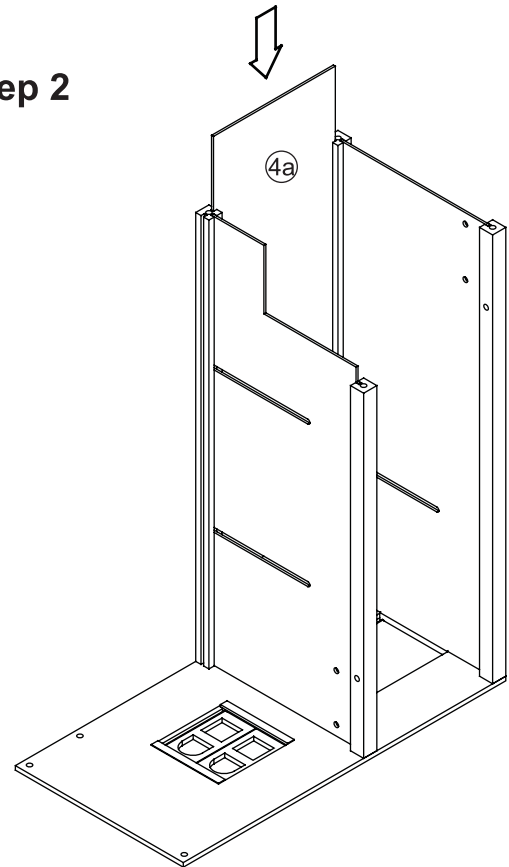
Assembly Instructions

Item #65054A

Step 1



Step 2



Before calling customer service, please locate the batch code number (example: 105906/65006/04) found on the bottom or back of your product.

Customer Service
1-800-933-0771
www.kidkraft.com

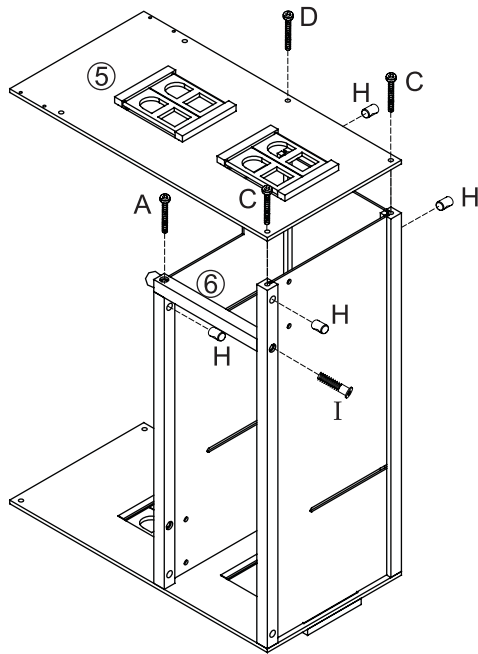


Chelsea Doll Cottage

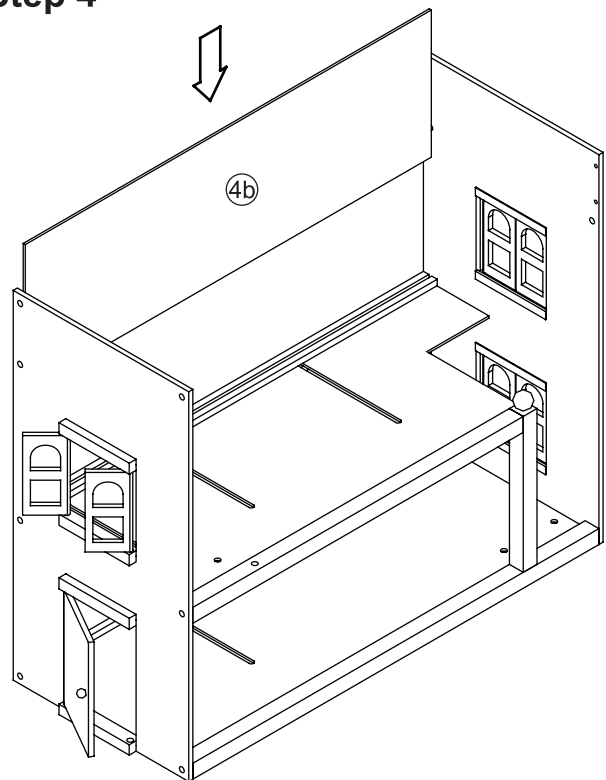
Assembly Instructions

Item #65054A

Step 3



Step 4



Customer Service
1-800-933-0771
www.kidkraft.com

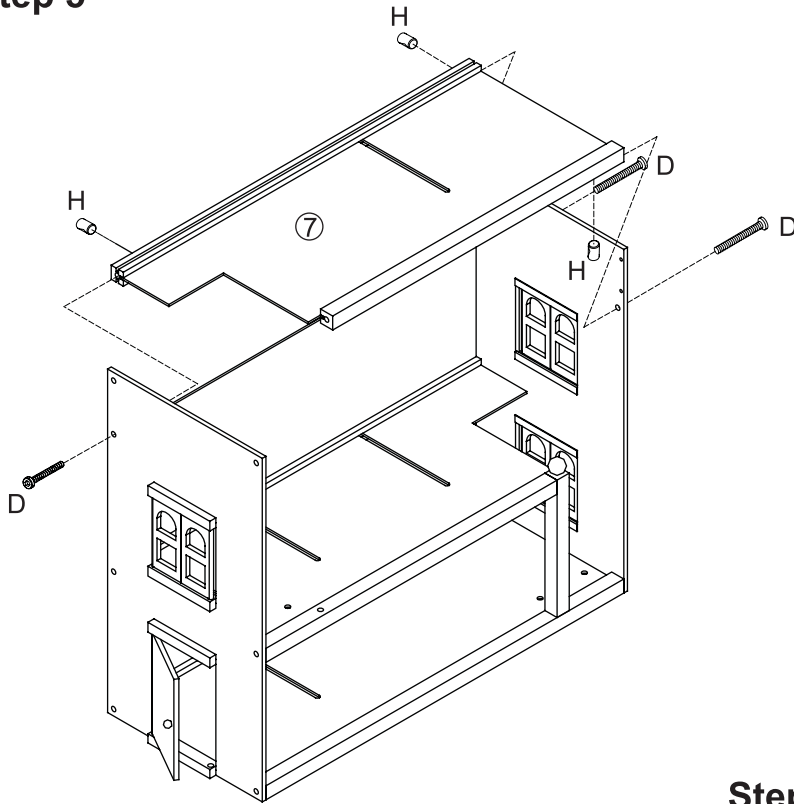


Chelsea Doll Cottage

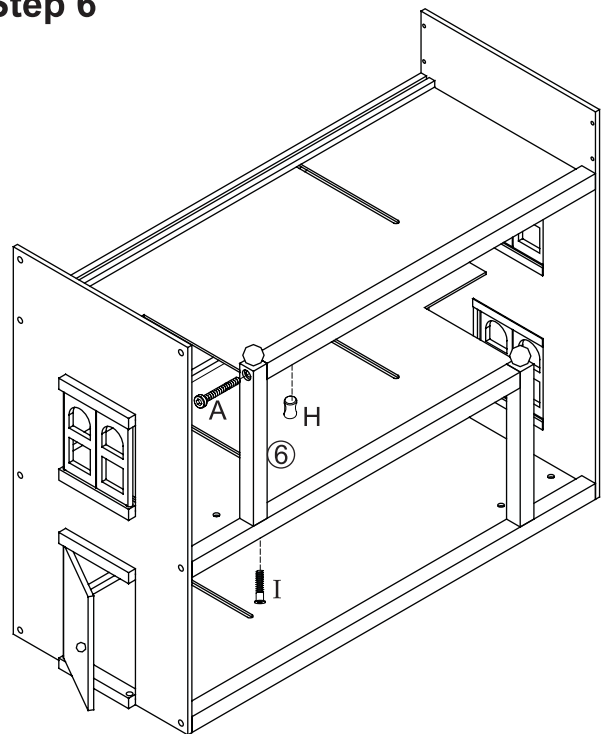
Assembly Instructions

Item #65054A

Step 5



Step 6



Customer Service
1-800-933-0771
www.kidkraft.com



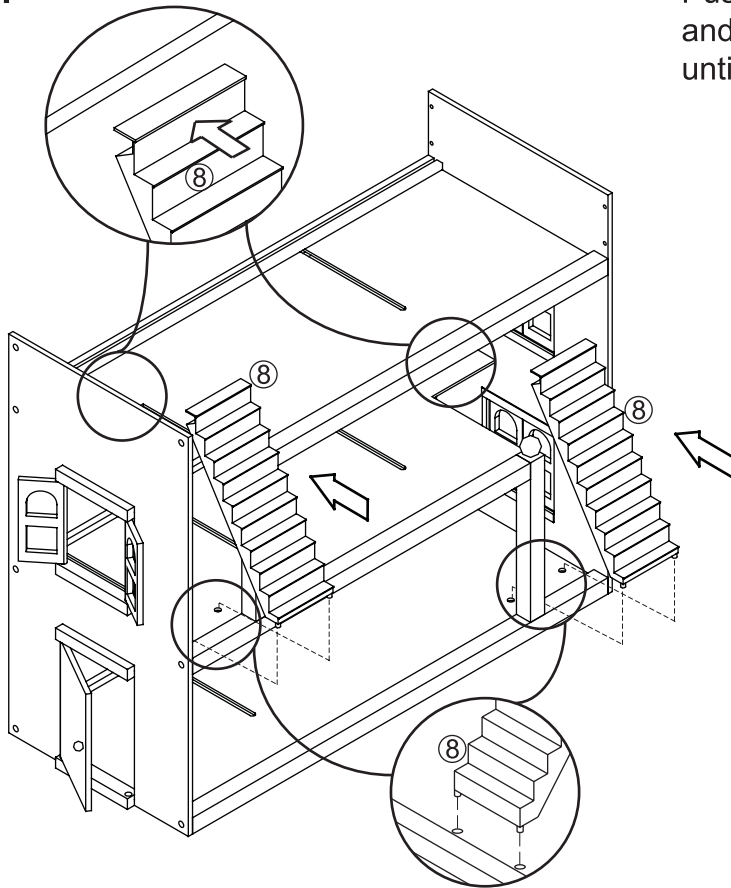
Chelsea Doll Cottage

Assembly Instructions

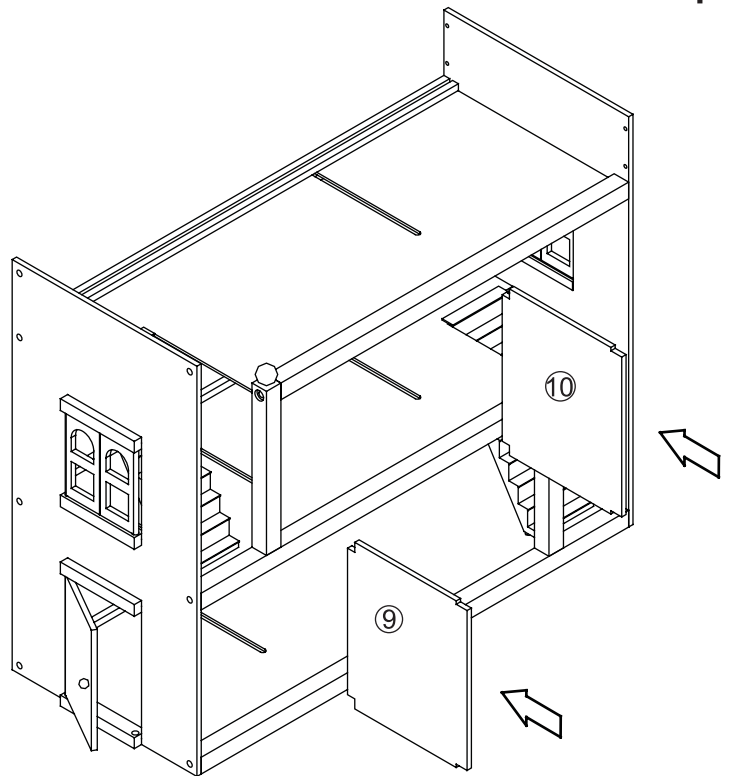
Item #65054A

Step 7

Push floor (Part 3 and 7) and stair (Part 8) together until they snap into place.



Step 8



Customer Service
1-800-933-0771
www.kidkraft.com

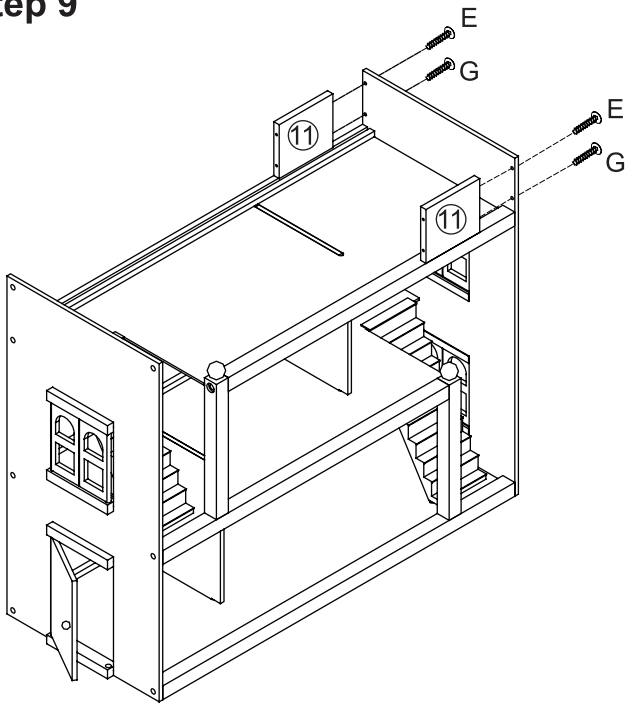


Chelsea Doll Cottage

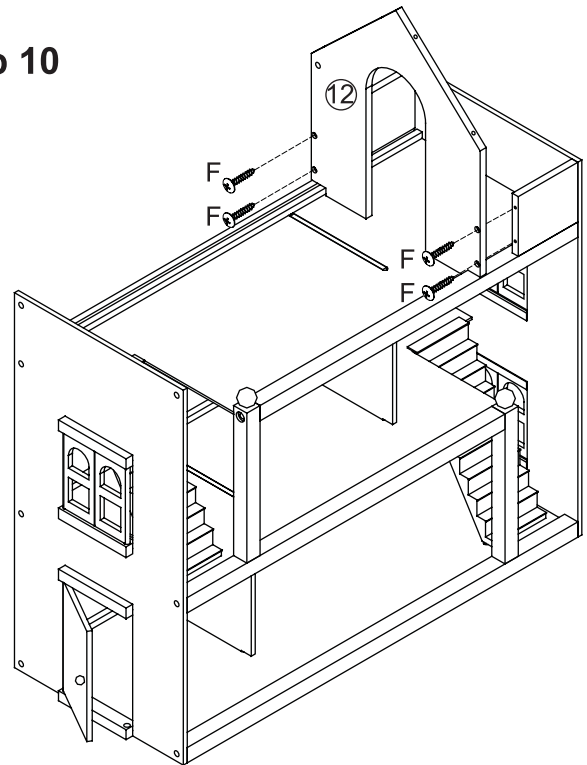
Assembly Instructions

Item #65054A

Step 9



Step 10



Customer Service
1-800-933-0771
www.kidkraft.com

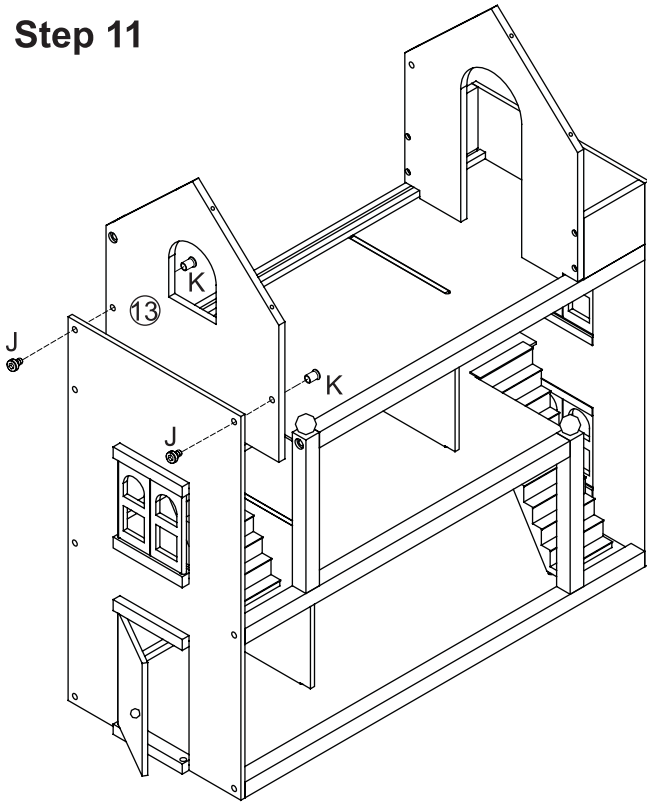


Chelsea Doll Cottage

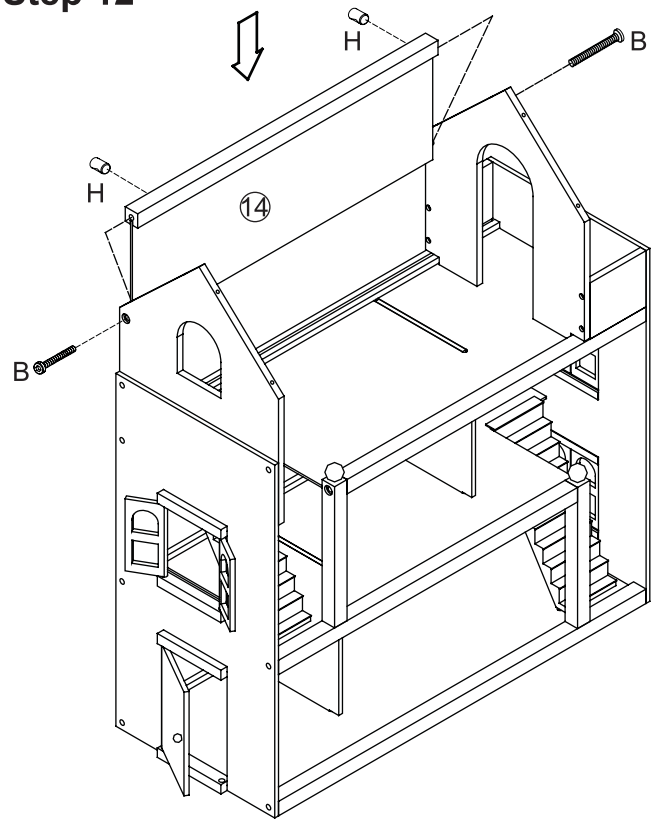
Assembly Instructions

Item #65054A

Step 11



Step 12



Customer Service
1-800-933-0771
www.kidkraft.com

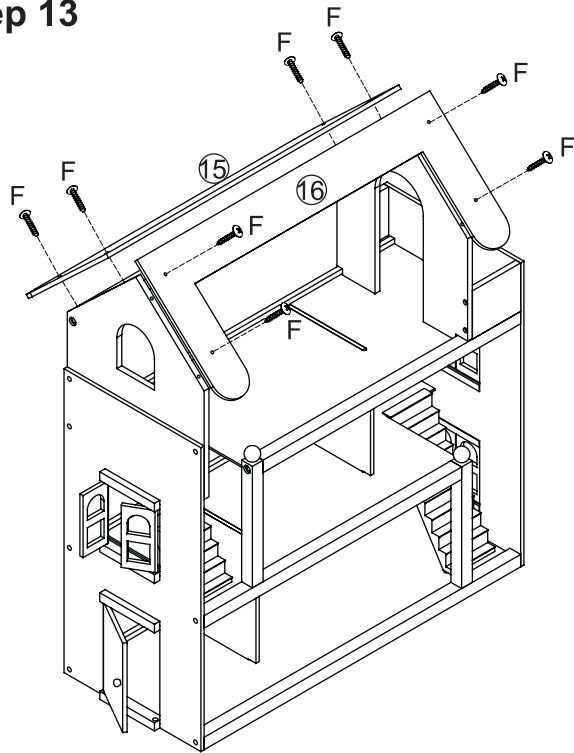


Chelsea Doll Cottage

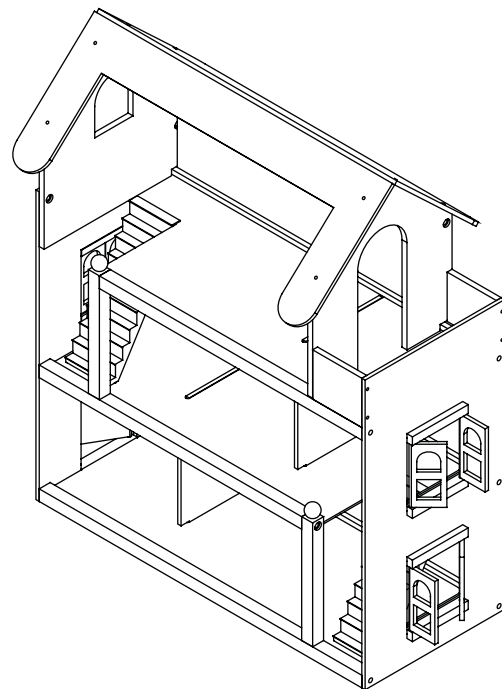
Assembly Instructions

Item #65054A

Step 13



COMPLETE



Customer Service
1-800-933-0771
www.kidkraft.com